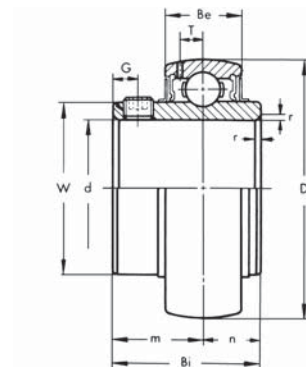


# Bearing units

**Insert  
UC 300  
Heavy duty  
Set-screw locking**

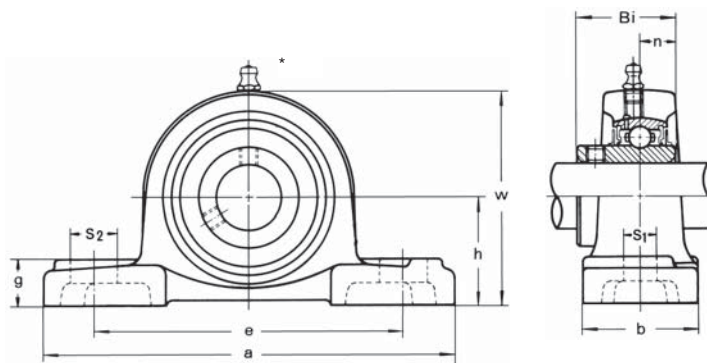


Designation	d	D	Bi	Be	n	m	G	T	Load ratings		Weight kg
	mm	mm	mm	mm	mm	mm	mm	mm	dynamic C kN	static C <sub>0</sub> kN	
UC 305	25	62	38	20	15	23	6	5.4	17.22	11.93	0.35
UC 306	30	72	43	23	17	26	6	5.7	20.77	14.17	0.56
UC 307	35	80	48	25	19	29	8	6.2	25.66	17.92	0.71
UC 308	40	90	52	27	19	33	10	7.0	31.35	22.38	0.96
UC 309	45	100	57	30	22	35	10	7.8	40.66	30.00	1.28
UC 310	50	110	61	32	22	39	12	8.5	47.58	35.71	1.65
UC 311	55	120	66	34	25	41	12	9.2	55.05	41.91	2.07
UC 312	60	130	71	36	26	45	12	9.8	62.88	48.60	2.60
UC 313	65	140	75	38	30	45	12	10.5	72.21	56.68	3.25
UC 314	70	150	78	40	33	45	12	11.1	80.10	63.48	3.89
UC 315	75	160	82	42	32	50	14	11.8	87.25	71.67	4.72
UC 316	80	170	86	44	34	52	14	12.5	94.57	80.35	5.55
UC 317	85	180	96	46	40	56	16	13.1	102.05	89.52	6.67
UC 318	90	190	96	48	40	56	16	13.8	110.81	100.76	7.56

## Bearing units

CAST IRON version pillow blocks

**Pillow block**  
**UCP 200**  
**Normal duty**  
**Set-screw locking**  
**Insert UC 200**



Designation	Shaft diameter mm	h mm	a mm	e mm	b mm	s <sub>1</sub> mm	s <sub>2</sub> mm	g mm	w mm	Bi mm	n mm	Bolt size	Weight kg
UCP 201	12	30.2	127	95	38	13	19	14	62	31.0	12.7	M10	0.69
UCP 202	15	30.2	127	95	38	13	19	14	62	31.0	12.7	M10	0.69
UCP 203	17	30.2	127	95	38	13	19	14	62	31.0	12.7	M10	0.68
UCP 204	20	33.3	127	95	38	13	19	14	65	31.0	12.7	M10	0.66
UCP 205	25	36.5	140	105	38	13	19	15	71	34.1	14.3	M10	0.81
UCP 206	30	42.9	165	121	48	17	20	17	84	38.1	15.9	M14	1.24
UCP 207	35	47.6	167	127	48	17	20	18	93	42.9	17.5	M14	1.58
UCP 208	40	49.2	184	137	54	17	20	18	100	49.2	19.0	M14	1.89
UCP 209	45	54.0	190	146	54	17	20	20	106	49.2	19.0	M14	2.14
UCP 210	50	57.2	206	159	60	20	23	21	113	51.6	19.0	M16	2.66
UCP 211	55	63.5	219	171	60	20	23	23	125	55.6	22.2	M16	3.31
UCP 212	60	69.8	241	184	70	20	23	25	138	65.1	25.4	M16	4.90
UCP 213	65	76.2	265	203	70	25	28	27	150	65.1	25.4	M20	5.15
UCP 214	70	79.4	266	210	72	25	28	27	156	74.6	30.2	M20	6.20
UCP 215	75	82.6	275	217	74	25	28	28	162	77.8	33.3	M20	7.16
UCP 216	80	88.9	292	232	78	25	28	30	174	82.6	33.3	M20	8.10
UCP 217	85	95.2	310	247	83	25	28	32	185	85.7	34.1	M20	9.81
UCP 218	90	101.6	327	262	88	27	30	33	198	96.0	39.7	M22	11.96

\*) grease nipple 45°

**Available on request with inserts of series UK and KH. Covers are possible as special version.**

The conventional housing tolerances are valid for all shown housing dimensions.

All cast housing tolerances are nominal sizes and the conventional cast tolerances must be added.